



***LINES DESIGNER'S FORUM
CHRISTCHURCH
MAY 2026***

What's new, Q & A

with

John Marshall johnm@busck.co.nz

Busck's National Technical & Design Manager

&

Ross McLennan rossm@busck.co.nz

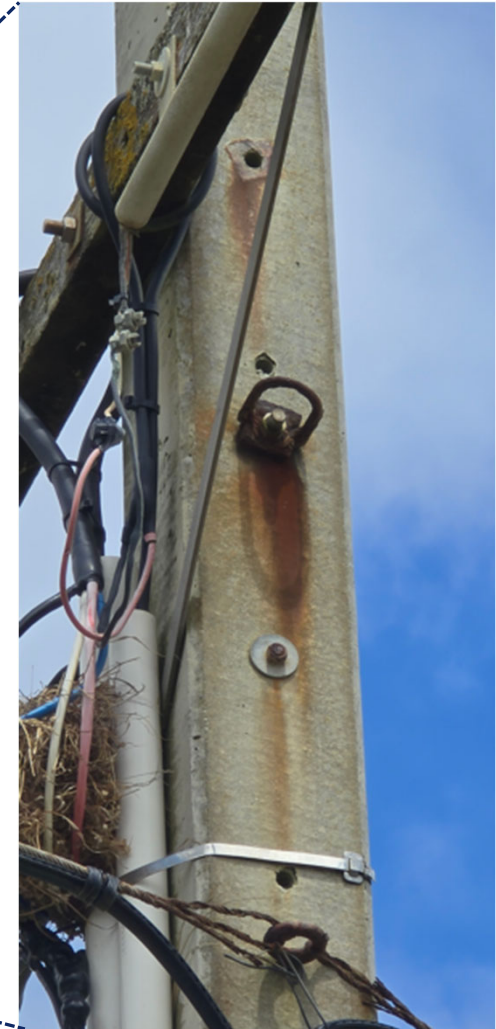
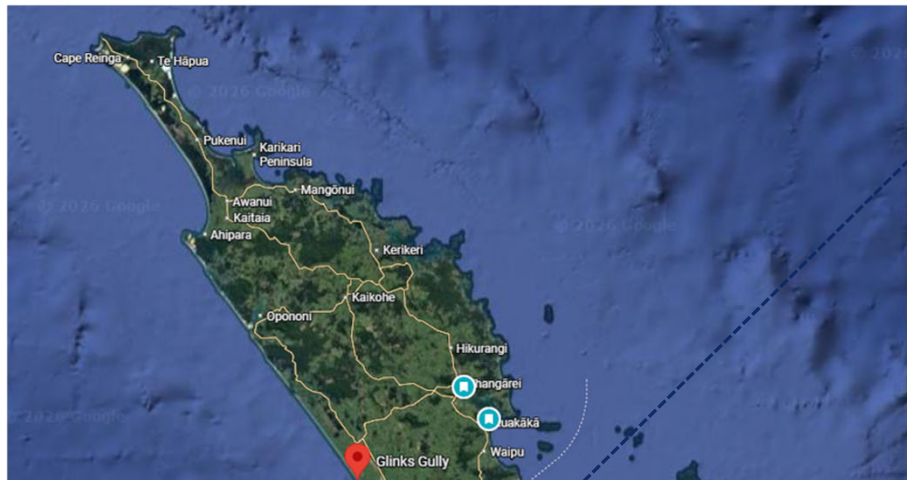
Busck's National Utilities Manager



James Mackechnie

- We are excited to advise that **James** starts with Busck on **1st June** in the role of **Concrete Engineering Manager**.
- James Mackechnie has worked in all areas of concrete from university research, design, construction, concrete associations, Readymix and now precast concrete.
- He has a PhD in civil engineering having spent many years researching concrete technology issues relating to practical applications for Readymix and precast concrete.
- James is highly respected in the concrete industry both in NZ and overseas and was awarded Honorary Life Member of Concrete NZ in 2025.
- James' role will lead the development and optimisation of high-performance concrete mix designs while providing expert technical support across production, projects, and clients.
- He will oversee quality control systems to ensure compliance with standards, resolves complex material and performance issues, and reviews technical documentation.
- **The position involves advanced testing and analysis to drive corrective actions, alongside leading continuous improvement initiatives focused on efficiency, performance, and cost. Additionally, it supports research and development, including sustainable solutions and new product innovation.**

Durability of Prestressed Concrete Power Poles in the Marine Environment



Pole Shop Drawing Update

- Tip loads will be described as ϕ ULS in kN for clarity.
- www.busck.co.nz

NOTES:

STACKING AND HANDLING

REFER TO THE "BUSCK
PRESTRESSED CONCRETE LTD
GUIDELINE FOR SAFE
HANDLING OF CONCRETE
POLES AND FOUNDATION
BLOCKS" FOR HANDLING

ACROSS LINE CAPACITY AT

TOP

ULTIMATE LIMIT STATE TO CODE
AS / NZS 7000:2016
22.0 kN ULS MODIFIED DESIGN
STRENGTH BY TESTING

DOWN LINE CAPACITY AT

TOP

ULTIMATE LIMIT STATE TO CODE
AS / NZS 7000:2016
8.0 kN ULS MODIFIED DESIGN
STRENGTH BY TESTING

NOTES:

STACKING AND HANDLING

REFER TO THE "BUSCK
PRESTRESSED CONCRETE LTD
GUIDELINE FOR SAFE
HANDLING OF CONCRETE
POLES AND FOUNDATION
BLOCKS" FOR HANDLING

ACROSS LINE CAPACITY AT

TOP

ULTIMATE LIMIT STATE TO CODE
AS / NZS 7000:2016

ϕ ULS = 22 kN

DOWN LINE CAPACITY AT

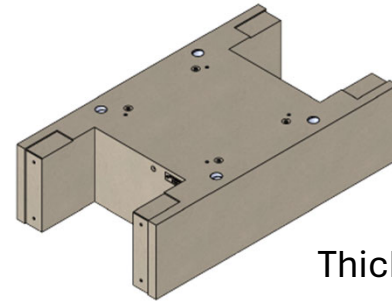
TOP

ULTIMATE LIMIT STATE TO CODE
AS / NZS 7000:2016

ϕ ULS = 8 kN



Raised Transformer Pads for Flooding Areas



Thickened pads



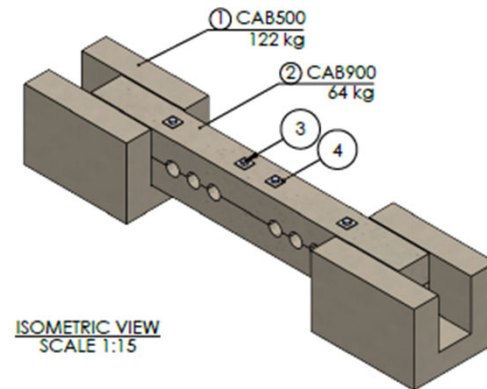
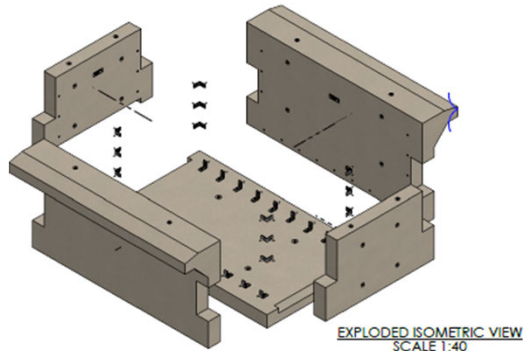
Ground level



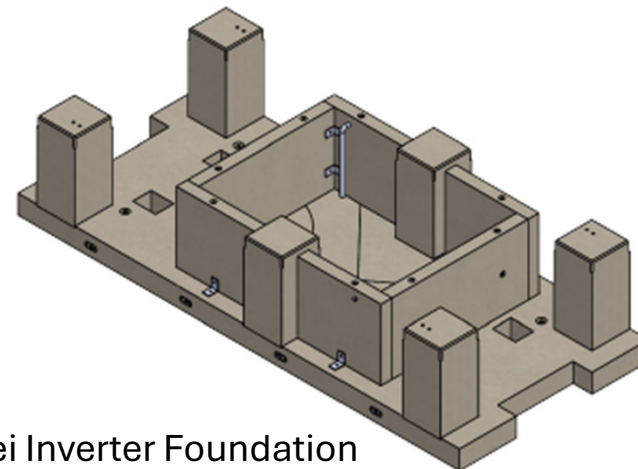
Customised Products



Vista 2 Switchgear Foundation



Cable anchor blocks



Huawei Inverter Foundation

Pole Repair Kits



Pole Repair Kits





Questions?